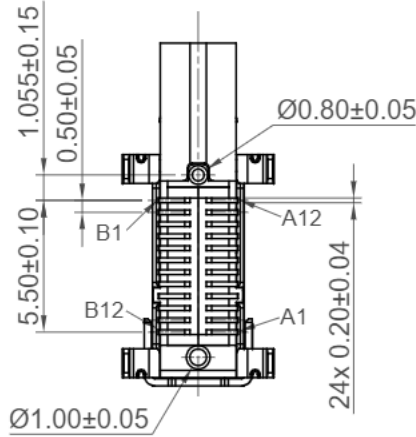


Plug and Receptacle Mating View



Specifications

Material
 Insulator: LCP, UL 94V-0, Black
 Contact: Copper Alloy, T=0.12mm
 Mid Plate: Stainless Steel, T=0.15mm
 EMI Plate: Stainless Steel, T=0.10mm
 Shell: Stainless Steel, T=0.30mm

Plating
 Contact
 Contact Area: 3µ" Gold over 50µ" min. Nickel
 Solder Tails: Gold Flash over 50µ" min. Nickel
 Shell&EMI Plate: 50µ" min. Nickel
 Mid Plate: Clear

Electrical
 Current Rating: 5.00A collectively for Vbus pins
 6.25A collectively for GND pins
 1.25A for A5/B5 pin
 0.25A per pin for all other pins
 Voltage Rating: 48V DC
 Power Rating: 240W
 Contact Resistance: 40mΩ max initial.
 50mΩ max after test
 Dielectric Withstanding Voltage: 100V AC
 Insulation Resistance 100MΩ min

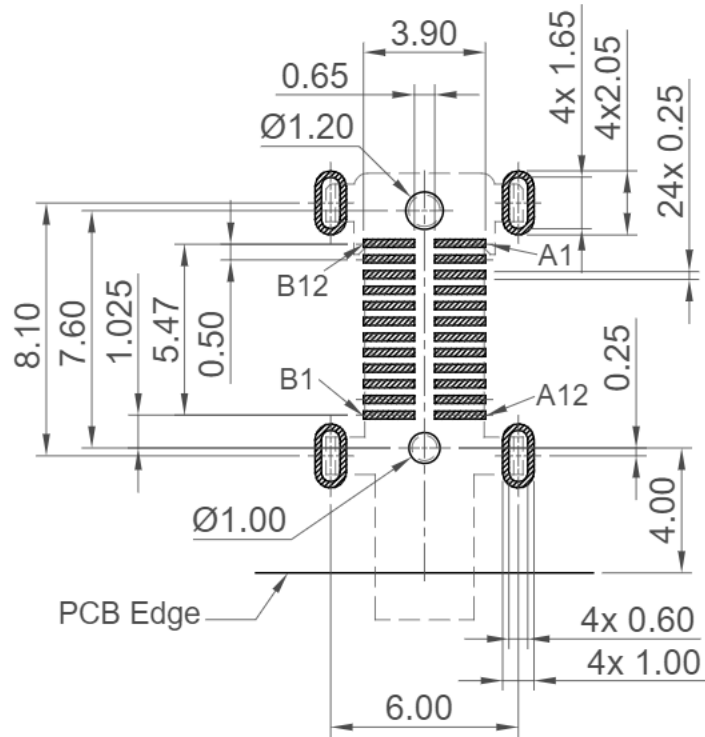
Mechanical & Environmental
 Operating Temperature: -40°C to +85°C
 Mating Force: 5 to 20 N
 Unmated Force: 6 to 20 N after test
 Durability: 20,000 cycles

Ordering Grid
USB4200 - **03** - **A** Request Samples and Quotation

Contact Plating
 03 = 3µ" Gold

Packing Options
 A = Tape & Reel
 (450pcs/Reel)

Part Number USB4200		Product Description USB3.2 Gen2, Type C Receptacle, Dual Row SMT, Flag Type, PCB Top Mount, 24 Pin			
Drawing Date 2nd March 2023					
By CC	Detail Drawing Release	Tolerances (Except as Noted) Length: X.X ± 0.30 Angle: X.XX ± 0.20 X.XXX ± 0.10	Units: Metric (mm)		This drawing is confidential and copyright of Global Connector Technology, Ltd (GCT). This drawing must not be copied or disclosed without written consent. E & OE
Revision Date	Release 06/03/23				
Not to Scale	Drawn By CC	Sheet No. 1/3			



Recommended PCB Layout

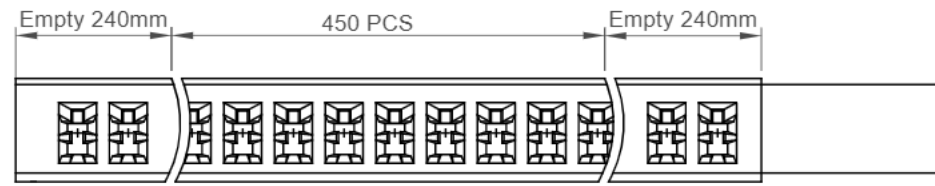
Tolerance: $\pm 0.05\text{mm}$

Solder Area
 Component Outline

Pin	Signal	Mating Sequence	Pin	Signal	Mating Sequence
A1	GND	First	B12	GND	First
A2	SSTXp1	Second	B11	SSRXp1	Second
A3	SSTXn1	Second	B10	SSRXn1	Second
A4	Vbus	First	B9	Vbus	First
A5	CC1	Second	B8	SBU2	Second
A6	Dp1	Second	B7	Dn2	Second
A7	Dn1	Second	B6	Dp2	Second
A8	SBU1	Second	B5	CC2	Second
A9	Vbus	First	B4	Vbus	First
A10	SSRXn2	Second	B3	SSTXn2	Second
A11	SSRXp2	Second	B2	SSTXp2	Second
A12	GND	First	B1	GND	First
SHELL		GND	SHELL		GND

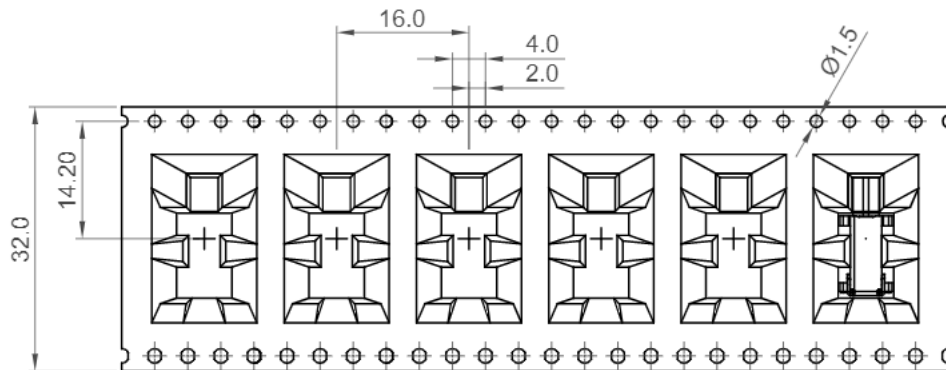
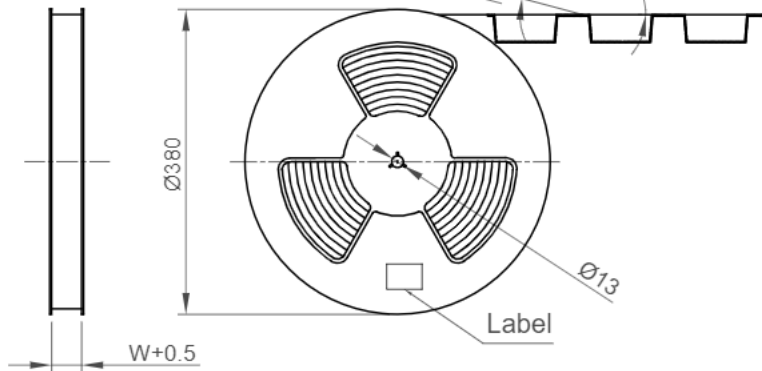
Part Number		Product Description			
USB4200		USB3.2 Gen2, Type C Receptacle, Dual Row SMT, Flag Type, PCB Top Mount, 24 Pin			
Drawing Date		2nd March 2023			
By	CC	Tolerances (Except as Noted)	Units:		
Detail	Drawing Release	Length	Metric (mm)		
Revision	A	X.X ± 0.30			
Date	06/03/23	X.XX ± 0.20 X.XXX ± 0.10			
This drawing is confidential and copyright of Global Connector Technology, Ltd (GCT). This drawing must not be copied or disclosed without written consent. E & OE		Not to Scale		Drawn By	Sheet No.
		CC		2/3	





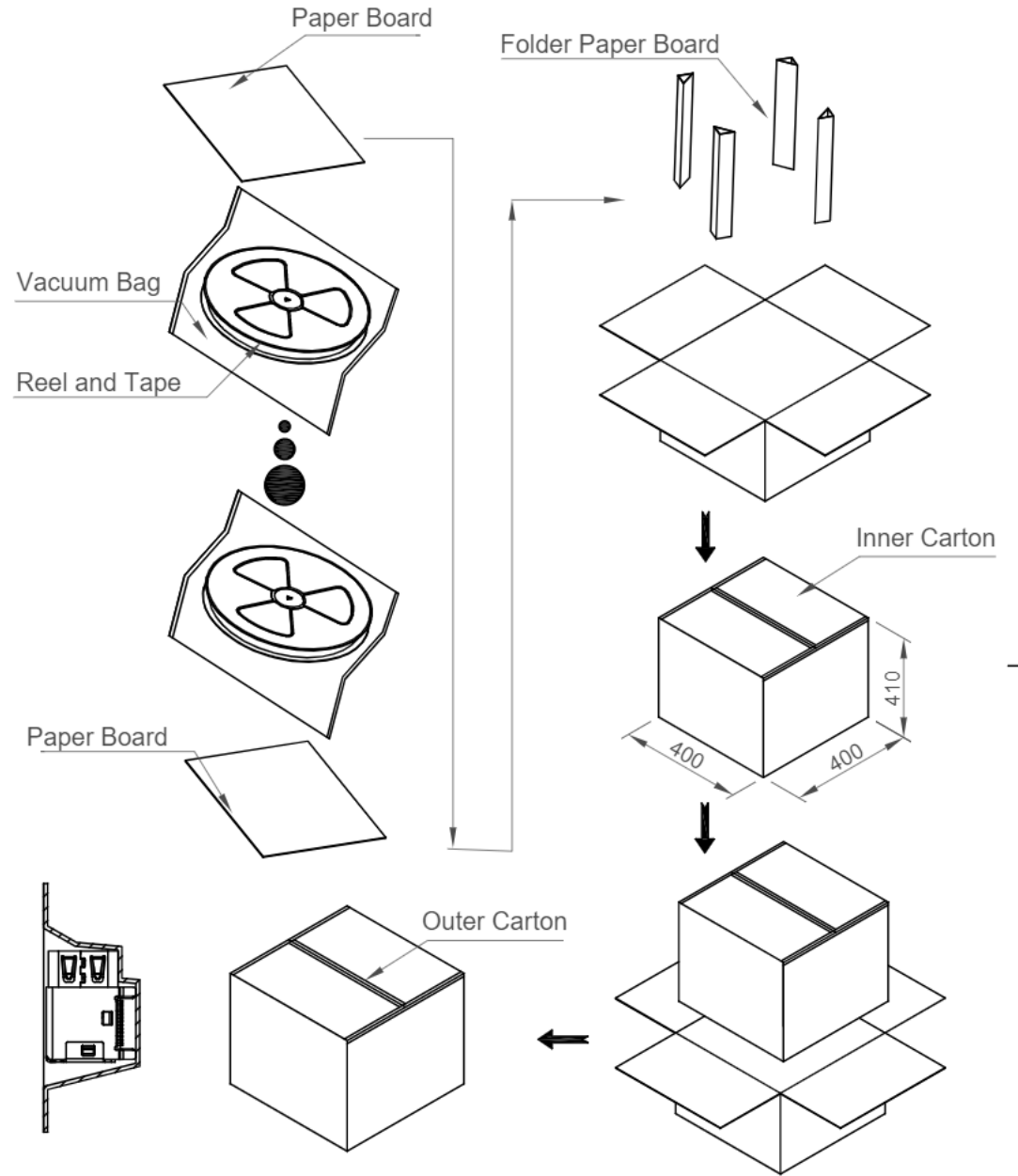
Direction of Unreeling

Peeling Angle 165°~180°



Direction of Unreeling

Pcs / Reel	Reels / Carton	Total Quantity
450	8	3600 pcs



Part Number USB4200		Product Description USB3.2 Gen2, Type C Receptacle, Dual Row SMT, Flag Type, PCB Top Mount, 24 Pin	
Drawing Date 2nd March 2023			
By CC	Detail Drawing Release	Tolerances (Except as Noted) Length: - Angle: -	Units: Metric (mm)
Revision A	Date 06/03/23		
		<p>This drawing is confidential and copyright of Global Connector Technology, Ltd (GCT). This drawing must not be copied or disclosed without written consent. E & OE</p>	



Not to Scale	Drawn By CC	Sheet No. 3/3
--------------	----------------	------------------